

ROTARY EVAPORATOR RC 600

DATA SHEET E 401



Technical features

- Central control unit for all functions
- Fast and easy change of the flask
- Automatic lift up of the flask in case of power outage
- Operating display of heating bath

Technical data

MATERIAL FOR PARTS CONTACTING THE MEDIA

Glass parts	Borosilicate glass
Vapor tube seal	PTFE-compound
Refilling valve's fitting	PP
Fitting seal	Silicone
Plugs seal	PTFE-coated

COOLANT LINE MATERIAL

Fitting on condenser	PP
Fitting seal	Silicone

VACUUM LINE MATERIAL

Fitting on condenser	PP
----------------------	----

ELECTRICAL PARAMETERS

Nominal voltage [V]	100 – 127 200 – 240
Frequency [Hz]	50 – 60
Heating output [W]	1300
Max. watt consumption [W]	1500
Maximum operating current [A]	13
100 – 127 V	6.5
200 – 240 V	
Protection class	IP 20

HEATING BATH

Heating bath temperature [°C]	20 - 180
-------------------------------	----------

PARAMETERS OF EVAPORATION FLASK

Size of evaporation flask [ml]	50 – 3000
Rotational speed of evaporation flask [1/min]	25 – 280
Length of stroke [mm]	150
Lifting speed [mm/s]	38

OTHER DATA

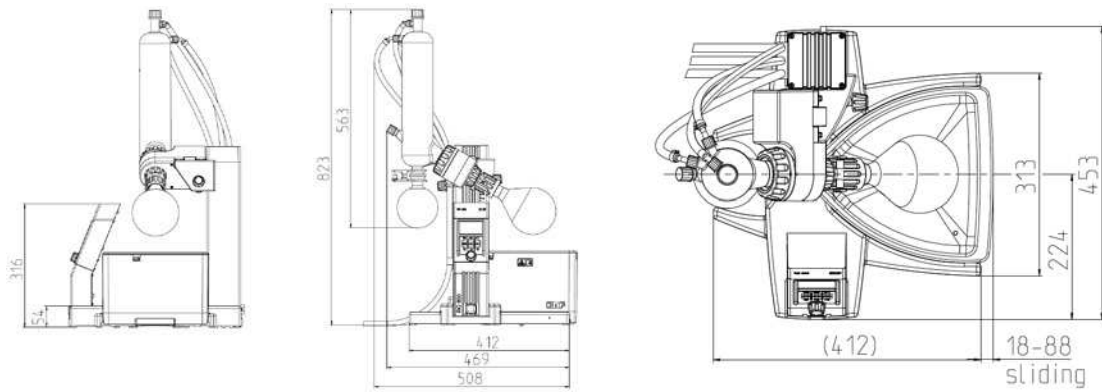
Total weight [kg]	9.1
Dimensions W x H x D [mm]:	
- without glass [footprint]	431 x 464 x 453
- with glass	487 x 823 x 453
Vacuum and refill connections	GL14
Maximum altitude of installation [m above sea level]	2000
USB connection	USB Type B

CONTROL UNIT

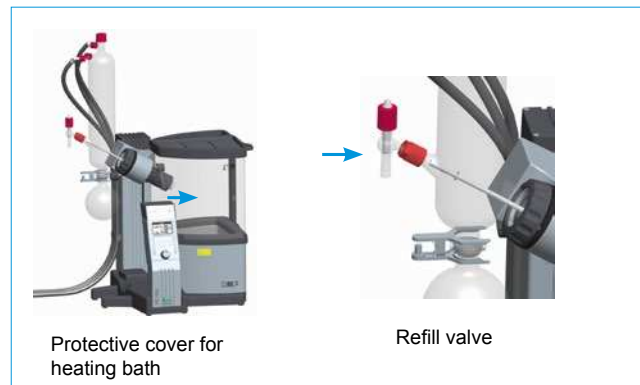
Type of display	LCD black/white
Indicated parameters	Rotation speed, temperature, lift

Dimensions

RC 600



ACCESSORIES	ID
Protective cover for heating bath	127204
Refill valve	300639
Vacuum seal	113046
Dry ice cold finger	301696



Combination possibilities

